

FIG.1
(PRIOR ART)

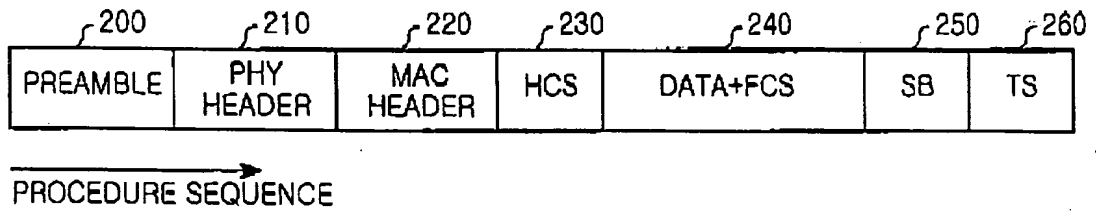


FIG.2
(PRIOR ART)

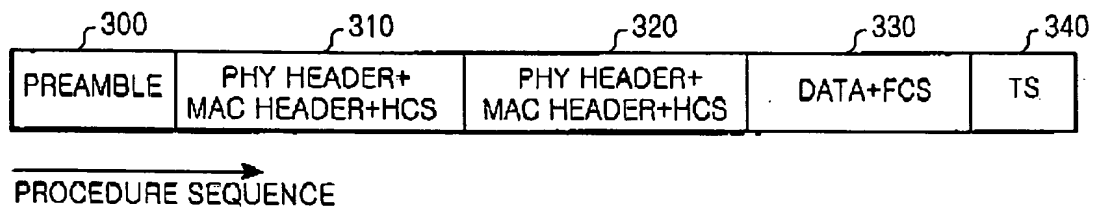


FIG.3
(PRIOR ART)

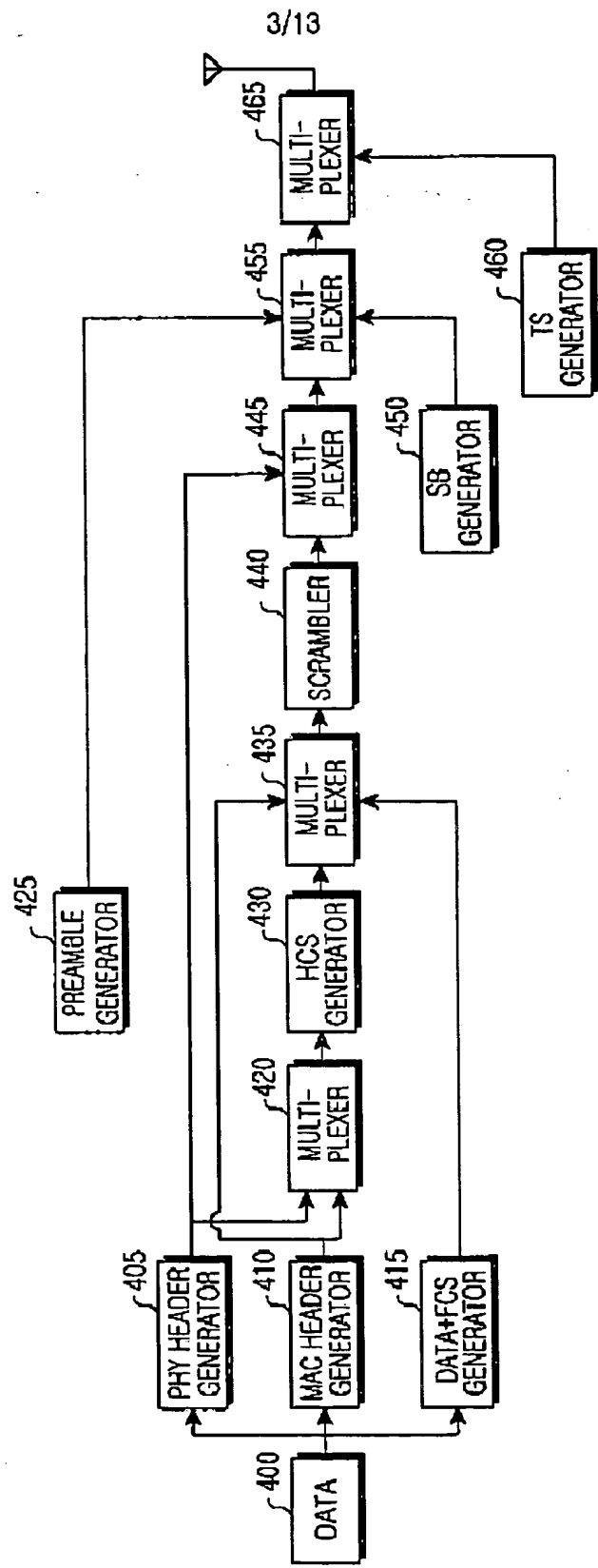


FIG. 4

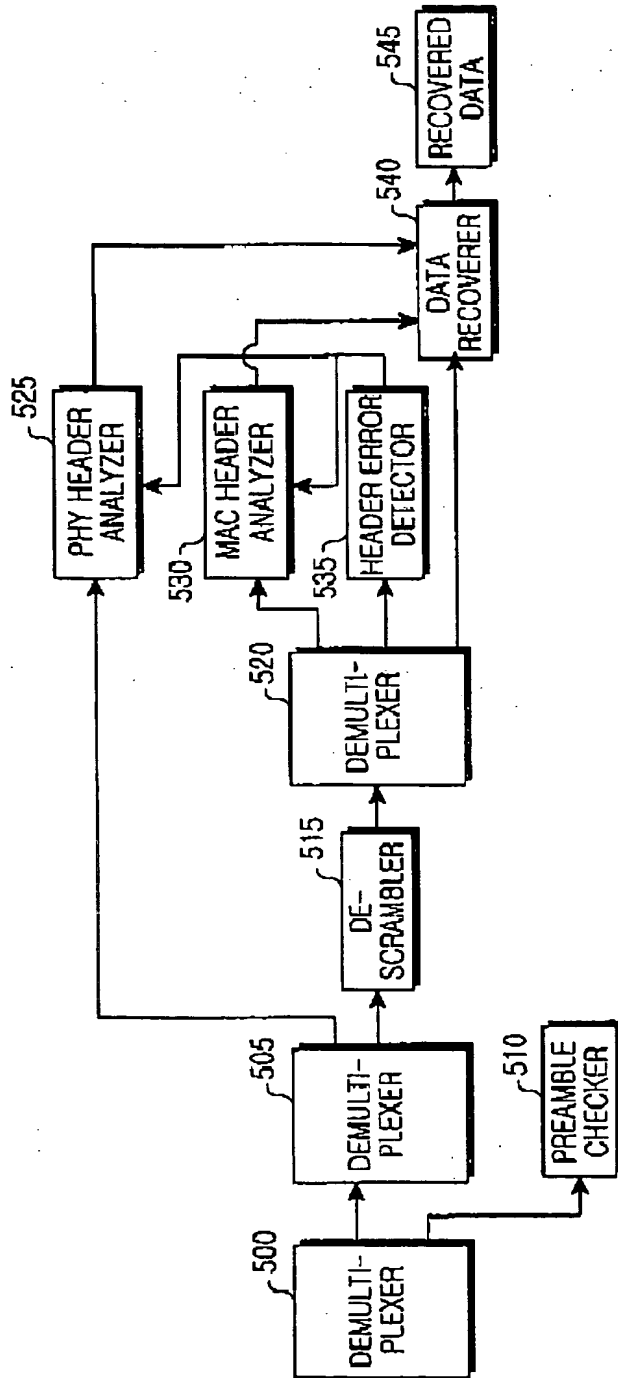


FIG. 5

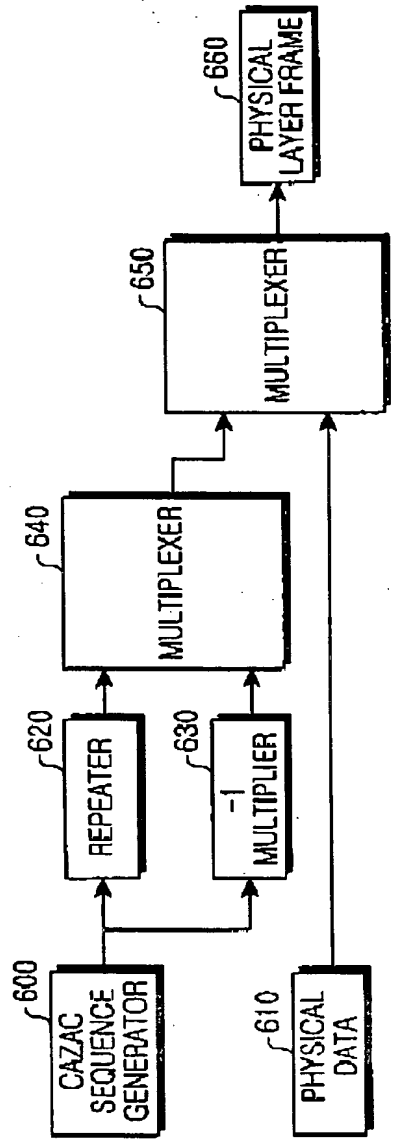


FIG.6

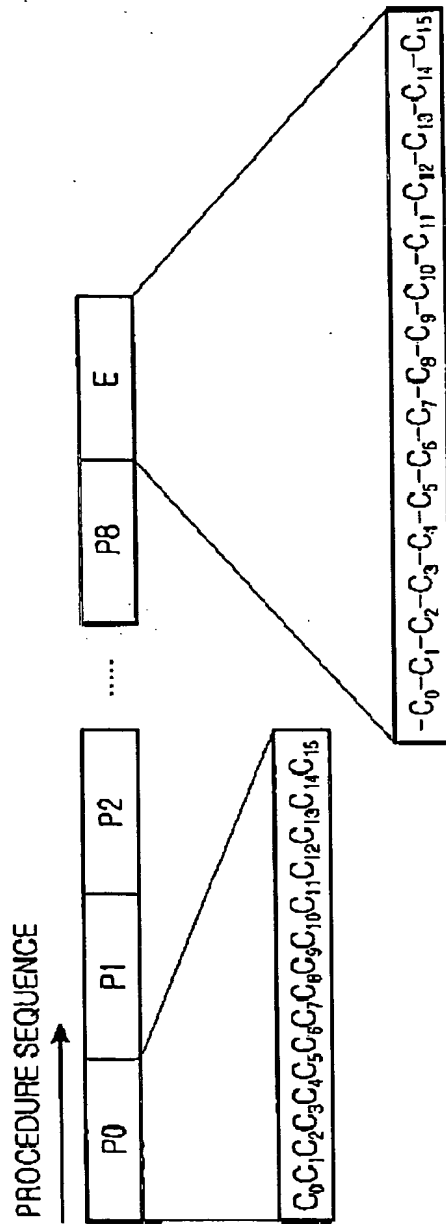


FIG.7

CAZAC SEQUENCE ELEMENTS	VALUE
C0	$1 + j$
C1	$1 + j$
C2	$1 + j$
C3	$1 + j$
C4	$-1 + j$
C5	$-1 - j$
C6	$1 - j$
C7	$1 + j$
C8	$-1 - j$
C9	$1 + j$
C10	$-1 - j$
C11	$1 + j$
C12	$1 - j$
C13	$-1 - j$
C14	$-1 + j$
C15	$1 + j$

FIG.8

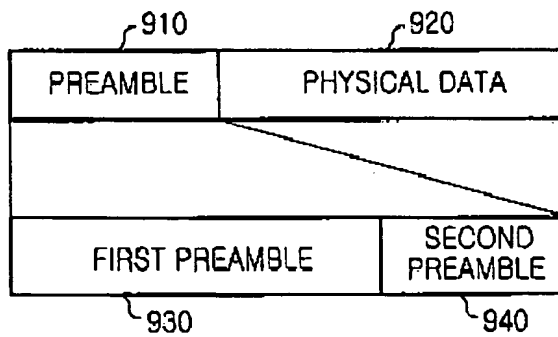


FIG.9

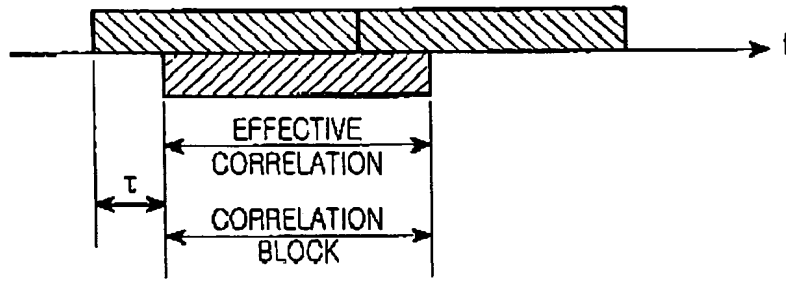


FIG.10

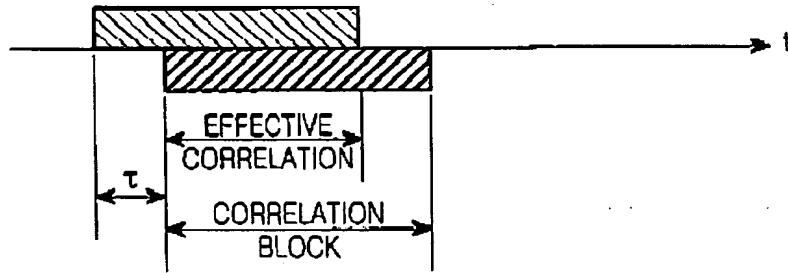


FIG.11

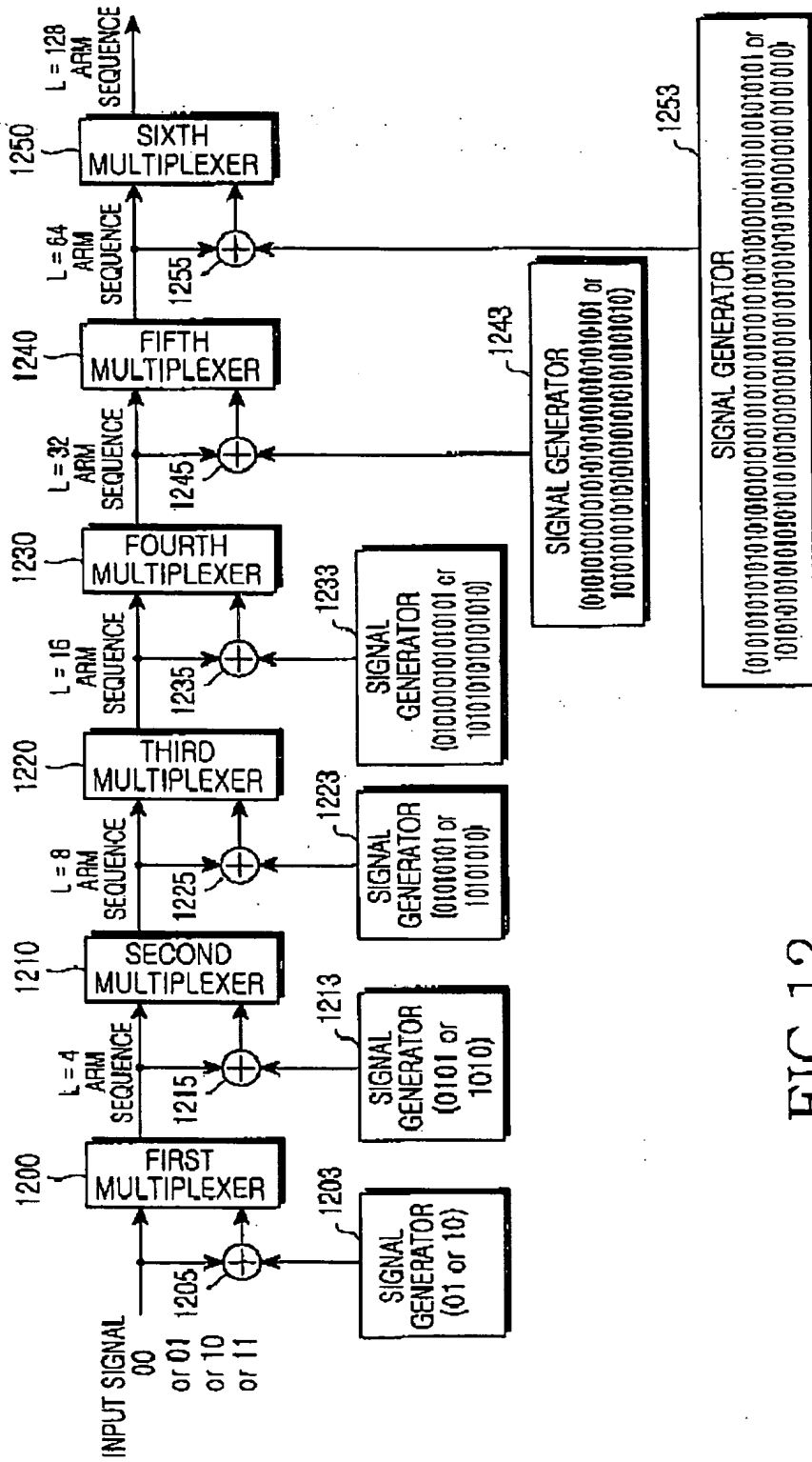


FIG.12

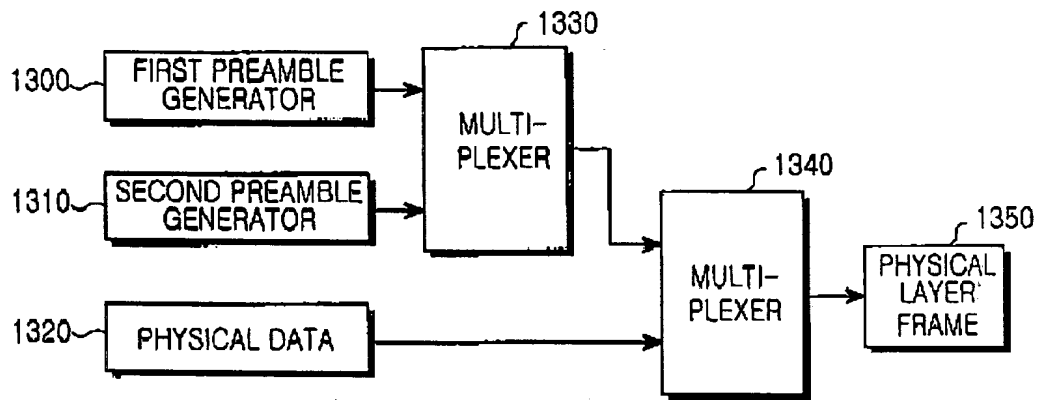


FIG.13

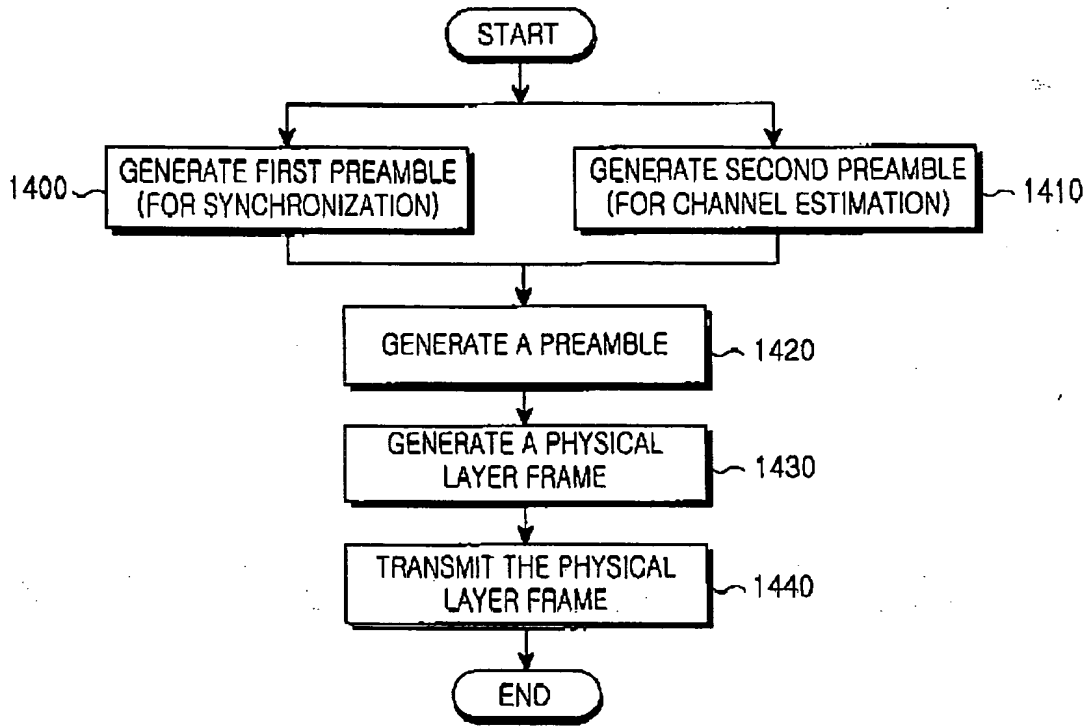


FIG. 14

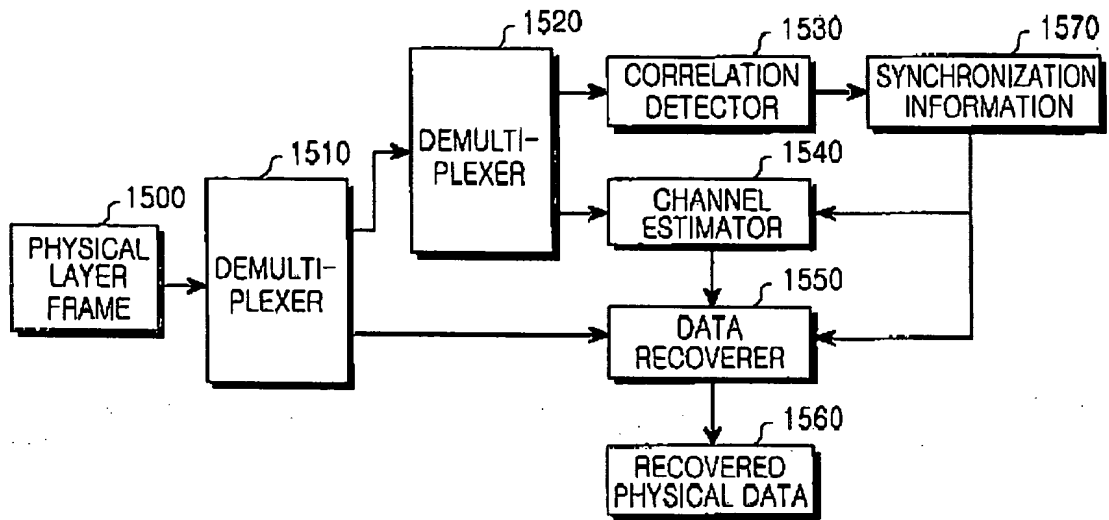


FIG.15

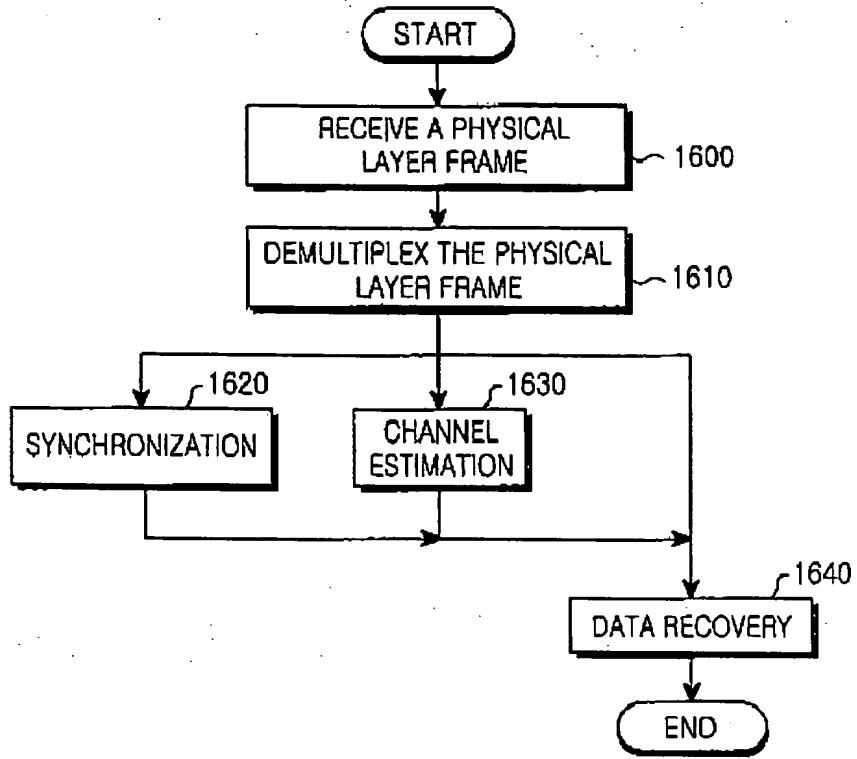


FIG. 16